

Owner's Manual & Safety Instructions

Save This Manual Keep this manual for the safety warnings and precautions, assembly, operating, inspection, maintenance and cleaning procedures. Write the product's serial number in the back of the manual near the assembly diagram (or month and year of purchase if product has no number). Keep this manual and the receipt in a safe and dry place for future reference.



10' x 10' Pop Up Canopy



Visit our website at: <http://www.harborfreight.com>
Email our technical support at: tech@harborfreight.com

ITEM 69456

When unpacking, make sure that the product is intact and undamaged. If any parts are missing or broken, please call 1-800-444-3353 as soon as possible.

Copyright© 2012 by Harbor Freight Tools®. All rights reserved. No portion of this manual or any artwork contained herein may be reproduced in any shape or form without the express written consent of Harbor Freight Tools. Diagrams within this manual may not be drawn proportionally. Due to continuing improvements, actual product may differ slightly from the product described herein. Tools required for assembly and service may not be included.

▲WARNING

**Read this material before using this product.
Failure to do so can result in serious injury.
SAVE THIS MANUAL.**

Specifications

Dimensions	10 FT x 10 FT at base 8 FT x 8 FT at canopy
Canopy	150 Denier Polyester

Important Safety Information

1. Setup only according to these instructions. Improper setup can create hazards.
2. Wear ANSI-approved safety goggles during setup. Wear heavy-duty work gloves when working with frame parts.
3. Keep setup area clean and well lit.
4. Keep bystanders out of the area during setup.
5. Do not setup when tired or when under the influence of drugs or medication.
6. **DO NOT USE IN HIGH WIND. Remove cover if harsh weather or heavy rain threatens.**
7. **Do not allow snow, rainwater, or debris to accumulate or pool on shelter.**
8. Anchor securely to flat, level, solid surface able to support shelter and vehicle according to manual instructions.
9. Inspect before setup and every use; do not setup or use if parts loose or damaged.
10. Read manual before setup and/or use.
11. This product is not a toy. Do not allow children to play with or near this item.
12. Use as intended only.
13. Maintain product labels and nameplates. These carry important safety information. If unreadable or missing, contact Harbor Freight Tools for a replacement.

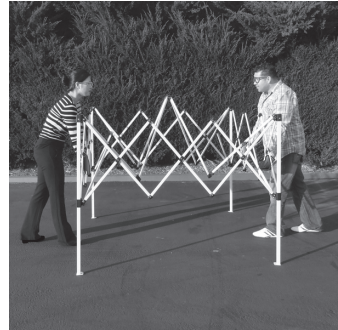
Setup Instructions



Read the **ENTIRE IMPORTANT SAFETY INFORMATION** section at the beginning of this document including all text under subheadings therein before set up or use of this product.

1. Place the Frame in the center of the desired location. With two people standing opposite each other, lift the Frame and pull it several feet apart.

CAUTION! Be careful not to pinch fingers or hands as you pull the Frame into shape.



2. Open the Frame completely and engage the Slider at each corner by pulling up on the Slider until it clicks into place.



3. Place the canopy over the Frame and secure the corners around the top of the Legs with the hook and loop tape.



4. Extend the Inner Legs until the pins click into place to raise the Canopy to its desired height.



5. Attach the hook and loop strips to each corner and overhead Trusses.
6. Secure the bottom of each Leg using sandbags (not included) or the included Ground Anchors.

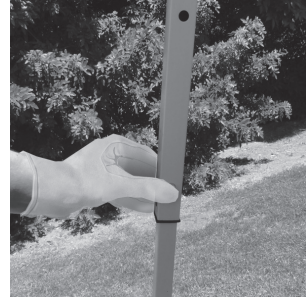


Take Down Instructions



Read the **ENTIRE IMPORTANT SAFETY INFORMATION** section at the beginning of this document including all text under subheadings therein before set up or use of this product.

1. Remove anchors or sandbags from legs.
2. Push in the Pins on the legs and lower the Inner Legs to lower the Canopy Frame.
3. Disengage the Locking Button at each corner of the Frame and pull the Slider down slowly until the button is completely free of the Slider.
4. Remove all the hook and loop tape from all parts of the Frame and remove the Canopy.

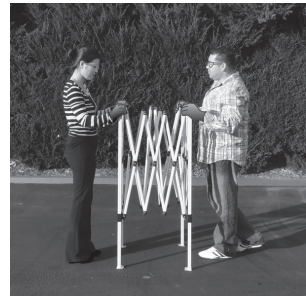


4. Remove all the hook and loop tape from all parts of the Frame and remove the Canopy.
5. With two people standing opposite each other, lift the Frame and push it together collapsing the Frame completely.



CAUTION! Be careful not to pinch fingers or hands as you collapse the Frame for storage.

6. Slide the Frame into the Storage bag. Fold the Canopy and place in the Storage bag.



Parts List and Diagram

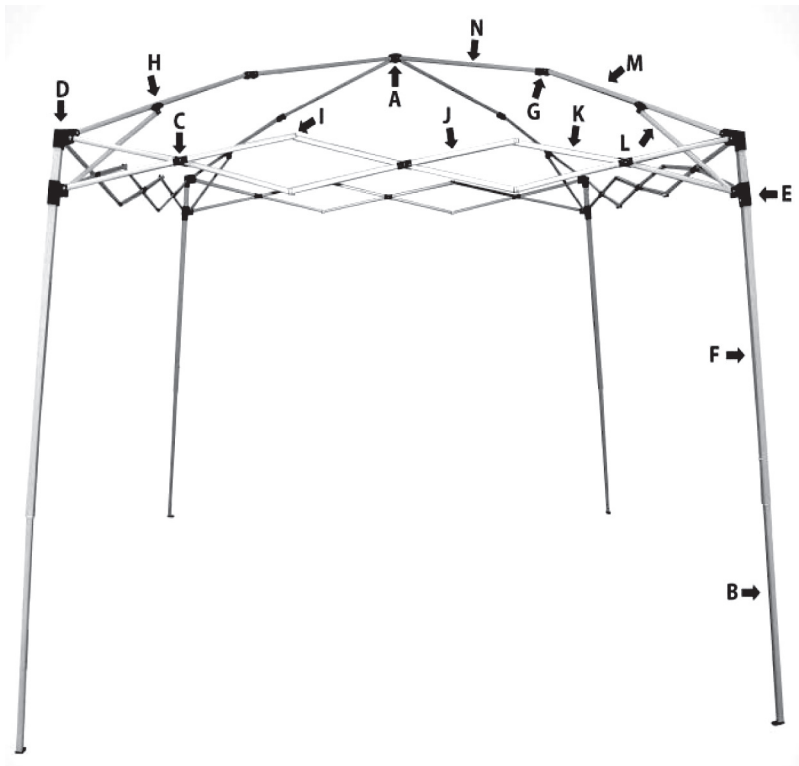
PLEASE READ THE FOLLOWING CAREFULLY

THE MANUFACTURER AND/OR DISTRIBUTOR HAS PROVIDED THE PARTS LIST AND ASSEMBLY DIAGRAM IN THIS DOCUMENT AS A REFERENCE TOOL ONLY. NEITHER THE MANUFACTURER OR DISTRIBUTOR MAKES ANY REPRESENTATION OR WARRANTY OF ANY KIND TO THE BUYER THAT HE OR SHE IS QUALIFIED TO MAKE ANY REPAIRS TO THE PRODUCT, OR THAT HE OR SHE IS QUALIFIED TO REPLACE ANY PARTS OF THE PRODUCT. IN FACT, THE MANUFACTURER AND/OR DISTRIBUTOR EXPRESSLY STATES THAT ALL REPAIRS AND PARTS REPLACEMENTS SHOULD BE UNDERTAKEN BY CERTIFIED AND LICENSED TECHNICIANS, AND NOT BY THE BUYER. THE BUYER ASSUMES ALL RISK AND LIABILITY ARISING OUT OF HIS OR HER REPAIRS TO THE ORIGINAL PRODUCT OR REPLACEMENT PARTS THERETO, OR ARISING OUT OF HIS OR HER INSTALLATION OF REPLACEMENT PARTS THERETO.

Parts List

Part	Description
A	Dome Cap
B	Inner Leg (with Foot Pad)
C	Joint Bolt, Nut, Cap Set
D	Outer Bracket, 3-Way
E	Slider Bracket, 3-Way
F	Outer Leg (with Insert and Push Button)
G	Inner Joint with Screws
H	Inner Bolt Cap
I	End Bolt Cap
J	Outer Truss Bar (connected to D)
K	Outer Truss Bar (connected to E)
L	Inner Truss Bar (connected to E)
M	Inner Truss Bar (connected to D)
N	Inner Truss Bar (connected to A)
O	Ground Anchor (not shown) qty: 4

Diagram



Record Serial Number Here:

Note: If product has no serial number, record month and year of purchase instead.

Note: Some parts are listed and shown for illustration purposes only, and are not available individually as replacement parts.

Limited 90 Day Warranty

Harbor Freight Tools Co. makes every effort to assure that its products meet high quality and durability standards, and warrants to the original purchaser that this product is free from defects in materials and workmanship for the period of 90 days from the date of purchase. This warranty does not apply to damage due directly or indirectly, to misuse, abuse, negligence or accidents, repairs or alterations outside our facilities, criminal activity, improper installation, normal wear and tear, or to lack of maintenance. We shall in no event be liable for death, injuries to persons or property, or for incidental, contingent, special or consequential damages arising from the use of our product. Some states do not allow the exclusion or limitation of incidental or consequential damages, so the above limitation of exclusion may not apply to you. THIS WARRANTY IS EXPRESSLY IN LIEU OF ALL OTHER WARRANTIES, EXPRESS OR IMPLIED, INCLUDING THE WARRANTIES OF MERCHANTABILITY AND FITNESS.

To take advantage of this warranty, the product or part must be returned to us with transportation charges prepaid. Proof of purchase date and an explanation of the complaint must accompany the merchandise. If our inspection verifies the defect, we will either repair or replace the product at our election or we may elect to refund the purchase price if we cannot readily and quickly provide you with a replacement. We will return repaired products at our expense, but if we determine there is no defect, or that the defect resulted from causes not within the scope of our warranty, then you must bear the cost of returning the product.

This warranty gives you specific legal rights and you may also have other rights which vary from state to state.



a Harbor Freight Tools Brand

3491 Mission Oaks Blvd. • PO Box 6009 • Camarillo, CA 93011 • (800) 444-3353